

Root Cause



Structural Behavior



Loading Cycles



Context + Conditions



EMX – Eddy Current Array

- Crack size, crack initiation



VIB – Seismic-grade Accelerometer

- Vibration measurement, modal analysis
- Wire-break detection, impact detection



ADS – Strain Gauges

- Strain measurements, concrete crack gauges
- Load cells



ADI, ADV, ADD – Analog Sensors

- Legacy sensors, industrial sensors



MPP – Digital Sensors & I/O

- LIDAR vehicle counter
- Frequency measurements, rpm, encoders



PoE Cameras

- 2D displacement measurements, site surveillance

Microphones

- Acoustic monitoring, falling debris, impact detection

CAN bus or Analog

PoE



AIMsight

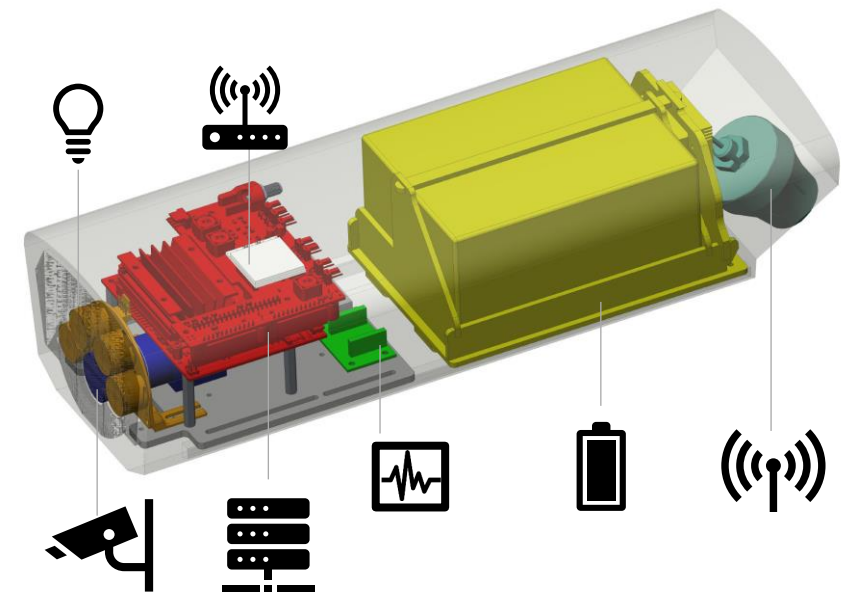
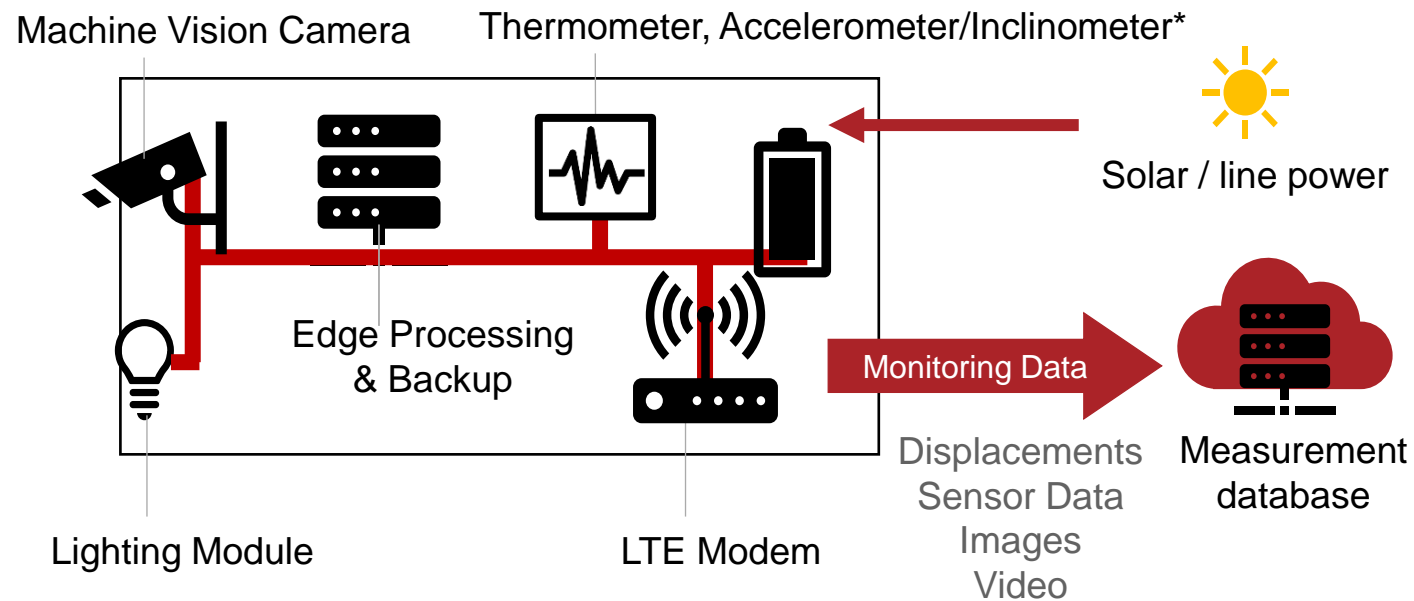
Powered by Sensima



AIMsight CAM

AIMSIGHT: STANDALONE MONITORING CAMERA

A True All-in-One Solution



* Optional add-ons

AIMSIGHT: CAMERA-BASED SENSOR NETWORK

